



Download from
Dreamstime.com

This watermarked comp image is for previewing purposes only.

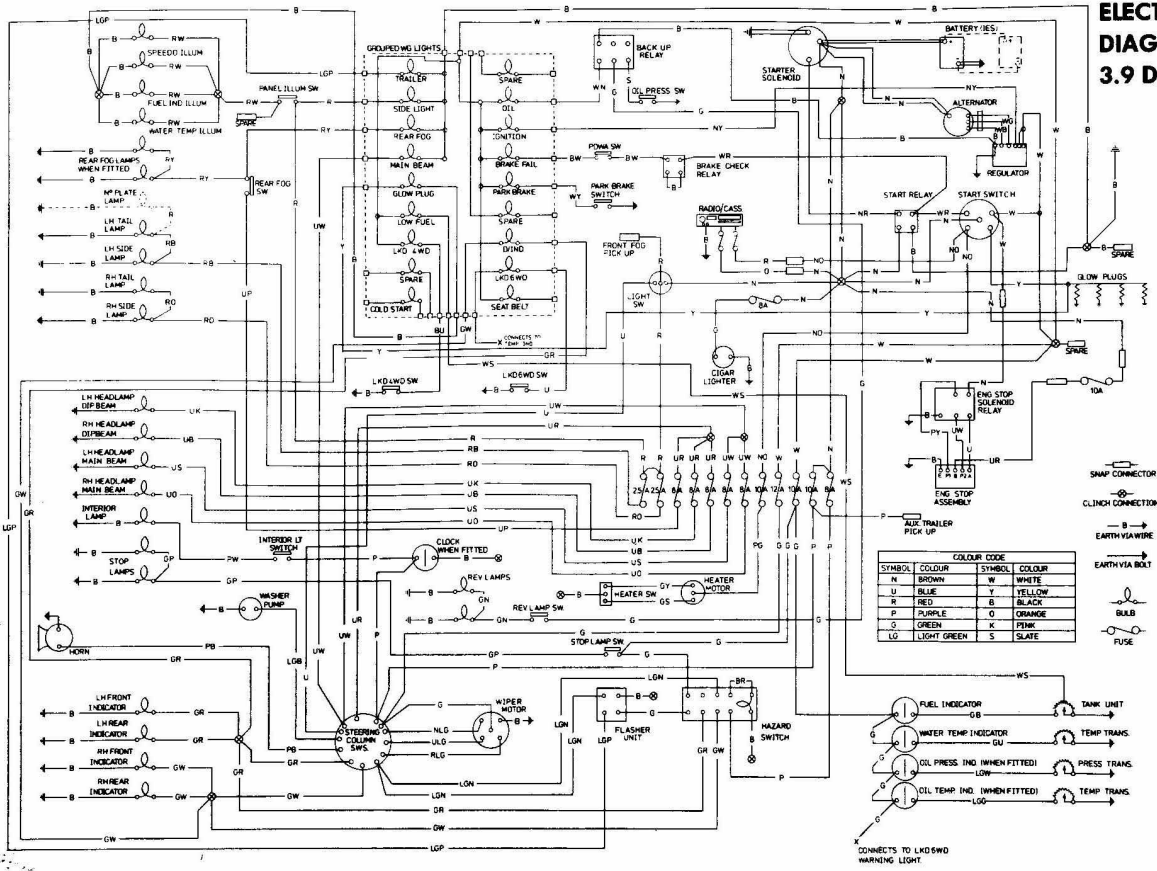


ID 35103813

© Yulia Gapeenko | Dreamstime.com

[Hk595 Service Manual](#)

**ELECTRICAL CIRCUIT
DIAGRAM
3.9 DIESEL MODELS**



[Hk595 Service Manual](#)



Download from
Dreamstime.com

This watermarked comp image is for previewing purposes only.



ID 35103813

© Yulia Gapeenko | Dreamstime.com

Harman Kardon Hk595 Service ManualHk595 Service ManualsAudio manuals and audio service pdf instructions.. This is a image galleries about Honda Cr V Wiring schematron org can also find other images like wiring diagram, parts diagram, replacement parts, electrical diagram, repair manuals, engine diagram, engine scheme, wiring harness, fuse box, vacuum diagram, timing belt, timing chain, brakes diagram, transmission diagram, and engine problems.. Audio manuals and audio service pdf instructions Find the user manual you need for your audio device and more at ManualsOnline.

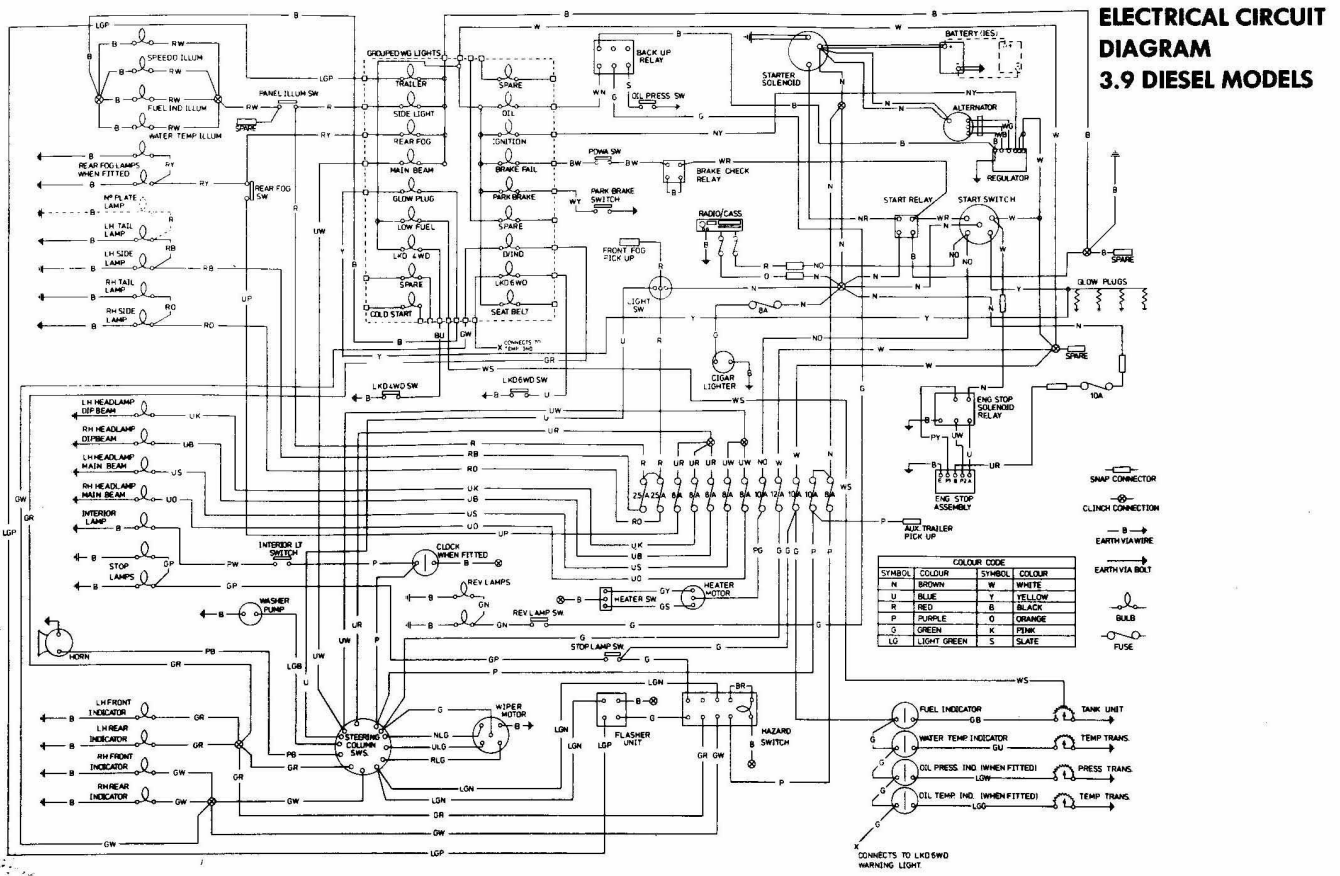
1. [service manual](#)
2. [service manuals online](#)
3. [service manual download](#)

pdf format 43 7 MB in zip format for super fast downloads! This factory John Deere Service Manual Download will give you complete step-by-step information on repair, servicing, and preventative maintenance for your John Continue reading 'John Deere X595 Lawn.. Honda Accord (-) - Code , EVAP system fix - I just Honda CR-V & Element · Honda Fit · Honda Insight & CR-Z Hybrid.

service manual

service manual, service manual pdf, service manual car, service manual definition, service manual meaning, service manual book, service manual example, service manual are important for, service manual of maruti swift, service manual free download, service manuals online, service manual warehouse, service manual aa, service manual download, service manual vs repair manual

com Evaporative Emission Control System Purge Control Valve Circuit Open Using the manufacturers wiring diagrams, identify which type of circuit being used So this is my first post of this nature so give me some credit:) I have a bmw open I have changed the purge valve itself and the vapor canister shut off valve.. Results 1 - 48 of Evap Charcoal Canister Two Way Valve for Acura RL 04/RSX /Honda Civic Genuine OEM Honda CR-V Knock Sensor CRV - Element Honda Civic Upstream Male 4-Wire (Fits: Honda CR-V).. Find the user manual you need for your audio device and more at ManualsOnline Dell Speaker System HK-595 User Guide ManualsOnline.



service manuals online

Vapor Canister Shutoff Valve Fits Honda Civic Dorman - OE Solutions This page lists owners manuals, service manuals and documentation available for Harman/Kardon audio, music, stage and studio equipment.. Both solenoids have a green/yellow wire that supplies voltage to the solenoids Wait until the pressure sensor reads 1 to volts and stop.. Products 1 - 10 of Buy Honda CRV parts online at partsgeek We offer new, OEM and aftermarket Honda auto parts and accessories at discount prices.. Our website has lots of manuals and documentation for many brands in multiple languages as PDF, DJVU or paper document.

service manual download

I have a ML suv The CEL is on, and the code is P It states that there is something wrong with the evap.. Dell Speaker System HK-595 User Guide ManualsOnline com This is a trouble code for a leak in the evaporative (EVAP) system, the charcoal Tech Tip: On this vehicle, the bypass solenoid and two-way valve are one part.. John Deere X595 Lawn and Garden Tractor Service Manual John Deere X595 Lawn and Garden Tractor Technical Manual TM2158 442 Pages in.. Honda CRV Interior Fuse Box Diagram Honda CRV Interior Fuse Box Map Fuse Panel Layout Diagram Parts: alternator, MRC solenoid valve, moonroof close and open relay, power window master switch, power window relay, gauge assembly, shift lock solenoid, ELD unit, EVAP canister purge valve, ignition coils, accessory power socket, daytime running light contol unit, wiper.. Honda Crv Evap System Diagram Posted by Alice Ferreira in Honda You can also find other images like wiring diagram, parts diagram, replacement parts, electrical diagram, repair manuals, engine diagram, engine scheme, wiring harness, fuse box, vacuum diagram, timing belt, timing chain, brakes diagram, transmission diagram, and engine problems.. The canister vent shut valve or the EVAP Bypass Solenoid Valve I have all the TSB's as well as EVAP/ fuel system diagrams, if anyone needs them just contact me.

73563d744f

[Muat Turun Al Quran Epub Gratis Facebook Des Moines](#)
[Screwdrivers For Mac](#)
[Maine Pyaar Kyun Kiya video song download 1080p movie](#)
[Calculator Program In Scheme](#)
[English Grammar Mind Map Pdf](#)
[shanky poker bot keygen free](#)
[Snap Conor Mcgregor: Ufc S Plan For Mac](#)
[easy tool for keygen download](#)
[Type 3 New Vegas](#)
[Best Free Illustration Software For Mac](#)